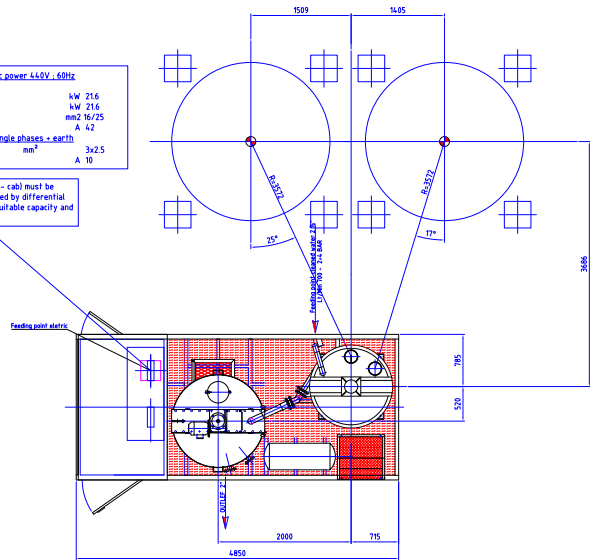


A X

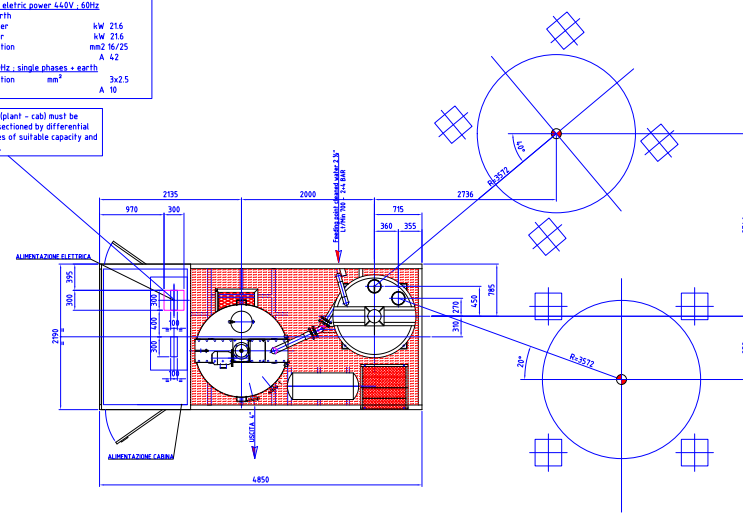
Feeding point electric power 440V - 60Hz
 3 phases - earth
 Installed Power kW 216
 Utilized Power kW 216
 Indicative section mm² 16/25
 Absorption A 42
 Cab 220V - 60Hz - single phases - earth
 Indicative section mm² 3x2.5
 Absorption A 10

J.N. Both lines (plant - cab) must be protected and sectioned by differential thermal switches of suitable capacity and sensitivity (dm).



Feeding point electric power 440V - 60Hz
 3 phases - earth
 Installed Power kW 216
 Utilized Power kW 216
 Indicative section mm² 16/25
 Absorption A 42
 Cab 220V - 60Hz - single phases - earth
 Indicative section mm² 3x2.5
 Absorption A 10

J.N. Both lines (plant - cab) must be protected and sectioned by differential thermal switches of suitable capacity and sensitivity (dm).



Take Note, the dimensions of the plates shown in drawing refer to the ones of this plant, but it's advisable to bed into concrete plates having bigger size